

J. J. KELLER® HBSUP8 UNCOATED PIN BOLT SEAL

MODEL #: HBSUP8



For nearly 70 years, J. J. Keller has been the industry leader, helping transport companies maintain safe, compliant and secure operations. We offer seals for every level of security and a range of industries, including our new proprietary seals.

Features

- Made of hardened low-carbon steel for strength and security
- C-TPAT compliant
- High-impact ABS plastic overmolded pin and barrel for improved tamper evidence
- Matching sequential numbers on barrel and pin add a layer of security and prevent of part substitution
- Laser etched ABS plastic provides high-contrast marking for greater readability and more security than just surface printing
- Barrel and pin connected to ensure like-numbered parts stay together until seal is used
- .37" (9.3mm) diameter uncoated pin makes it easier to fit in smaller or mis-aligned hasp openings
- Personalized seals with your company name and choice of numbers also available



Common Equipment Uses

- Trailer Door Latch
- Intermodal Container Door Latch
- Rail Boxcar Latch

Common Applications



Border Crossing



Truck/Ocean/
Rail Transport



Container
Storage/
Inventory

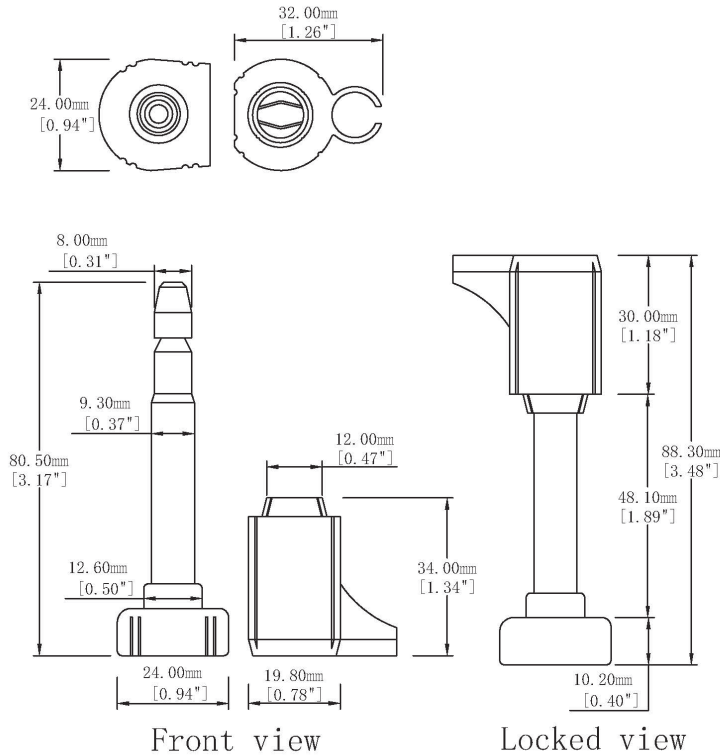


High-Value
Loads



Agriculture/
Food

J. J. KELLER® HBSUP8 UNCOATED PIN BOLT SEAL



| Colors | |
|-----------------------|-------|
| COLOR | STOCK |
| Blue | 61550 |
| Green | 61539 |
| Orange | 61553 |
| Red | 61554 |
| Yellow | 61555 |
| White WITH BARCODE | 61556 |

| Dimensions | |
|----------------------------------|--|
| PIN: | 3.17" L x .94" W x .94" H (80.5mm L x 24.0mm W x 24.0mm H) |
| BARREL: | 1.34" L x .94" W x 1.26" H (34.0mm L x 24.0mm W x 32.0mm H) |
| PIN DIAMETER: | .37" (9.3mm) |
| OPERATIONAL LENGTH: | 1.89" (48.1mm) |
| OVERALL ASSEMBLED LENGTH: | 3.48" (88.3mm) |

Marking
Stock: Laser-etched with J. J. KELLER text and 8 digit sequential numbers

Material

- Low-Carbon Steel
- ABS Plastic

Tensile Strength
> 2,250 lbf (>10 kN)

Packaging

- Die-cut windows in seal tray allow for viewing barrel and pin head imprint numbers inside
- Inner Pack: 10 seals per tray
- Carton Pack: 200 seals
- Carton Weight: 38.9 lb (17.6 kg)
- Carton Dimensions: 20.0" L x 10.5" W x 5.75" H (50.8cm L x 26.7cm W x 14.6cm H)

